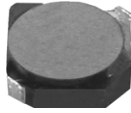


# PRH3D16AHP



## FEATURES 特点

- \* Excellent solderability and high heat resistance  
良好的可焊性和高耐热性

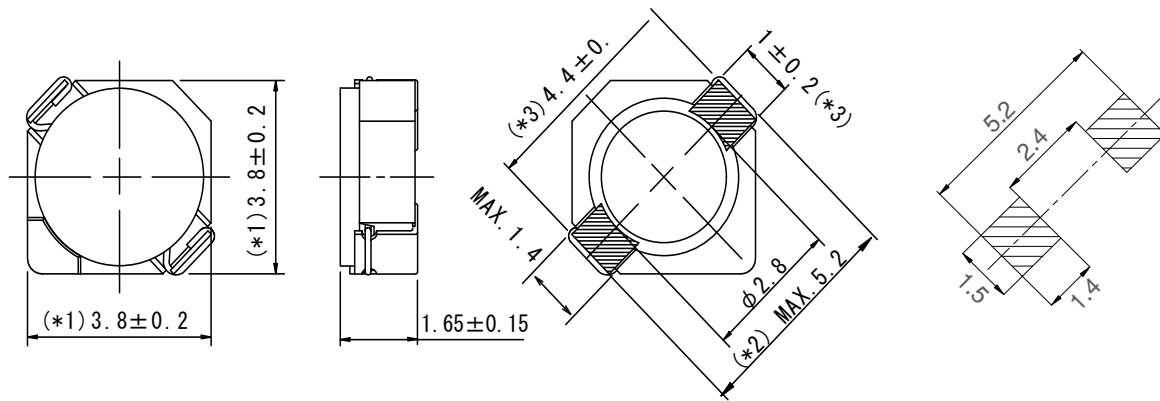
## APPLICATION 用途

- \* DC / DC转换器

## MEASURING FREQUENCY 测试频率

- \* 100KHz 0.3V

## Shapes And Dimensions 外形及尺寸示意图



## Electrical Characteristics 电气性能

Type 型号	Indicate 表示	Inductance 电感值	D.C.R(Max) 直流电阻 (毫欧)	Rated Current(Max) 额定电流 (A)
PRH3D1 6AHP-1R7	1R7	1.7 $\mu$ H $\pm$ 30%	51(41)	2.00
PRH3D1 6AHP-2R2	2R2	2.2 $\mu$ H $\pm$ 30%	59(47)	1.75
PRH3D1 6AHP-3R3	3R3	3.3 $\mu$ H $\pm$ 30%	85(68)	1.40
PRH3D1 6AHP-4R7	4R7	4.7 $\mu$ H $\pm$ 30%	116(93)	1.20
PRH3D1 6AHP-6R8	6R8	6.8 $\mu$ H $\pm$ 30%	180(145)	1.00
PRH3D1 6AHP-100	100	10 $\mu$ H $\pm$ 30%	230(185)	0.84
PRH3D1 6AHP-150	150	15 $\mu$ H $\pm$ 30%	410(328)	0.65
PRH3D1 6AHP-220	220	22 $\mu$ H $\pm$ 30%	610(488)	0.55
PRH3D1 6AHP-330	330	33 $\mu$ H $\pm$ 30%	870(695)	0.46

\* SPQ:3000PCS/REEL